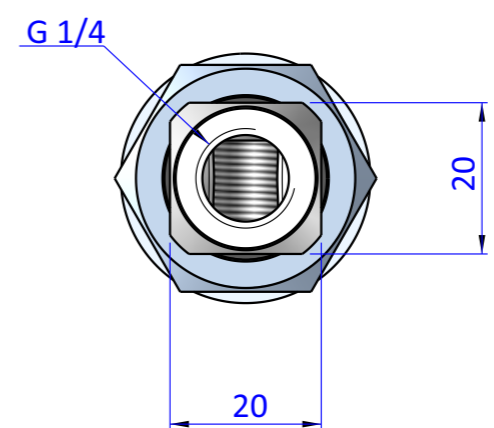
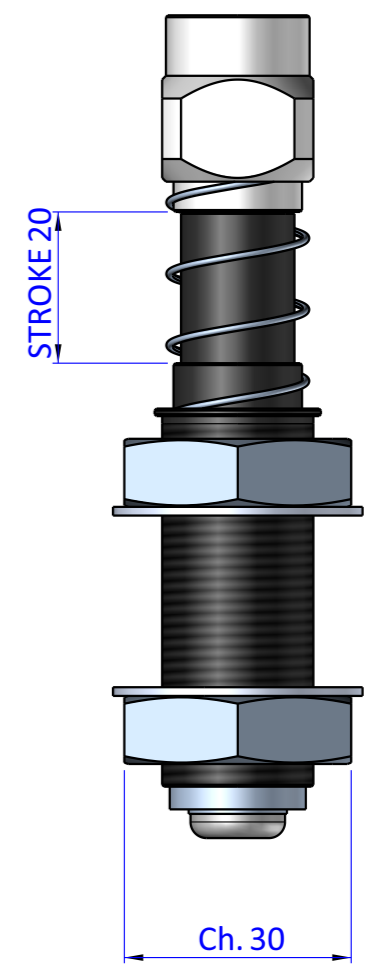
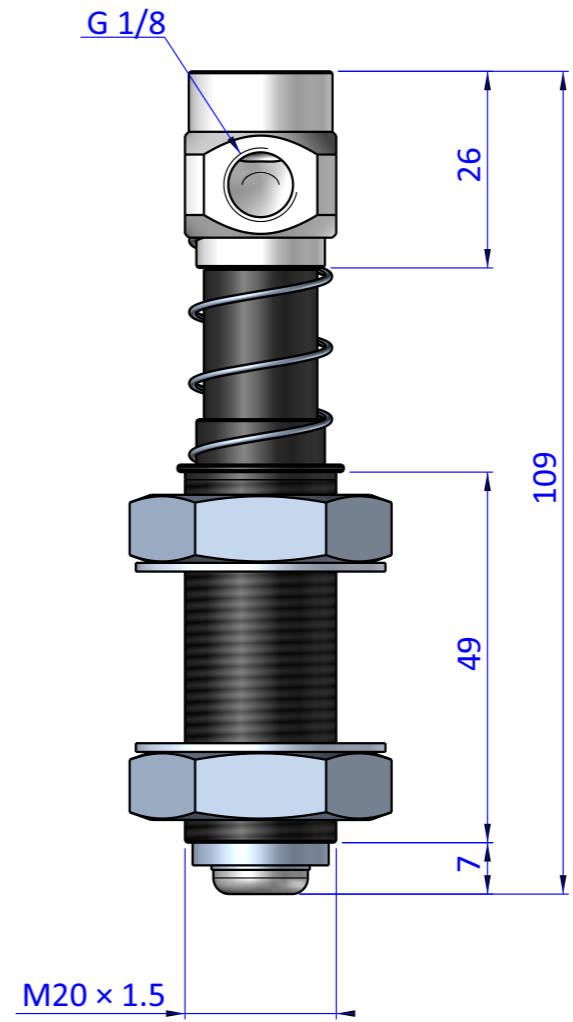
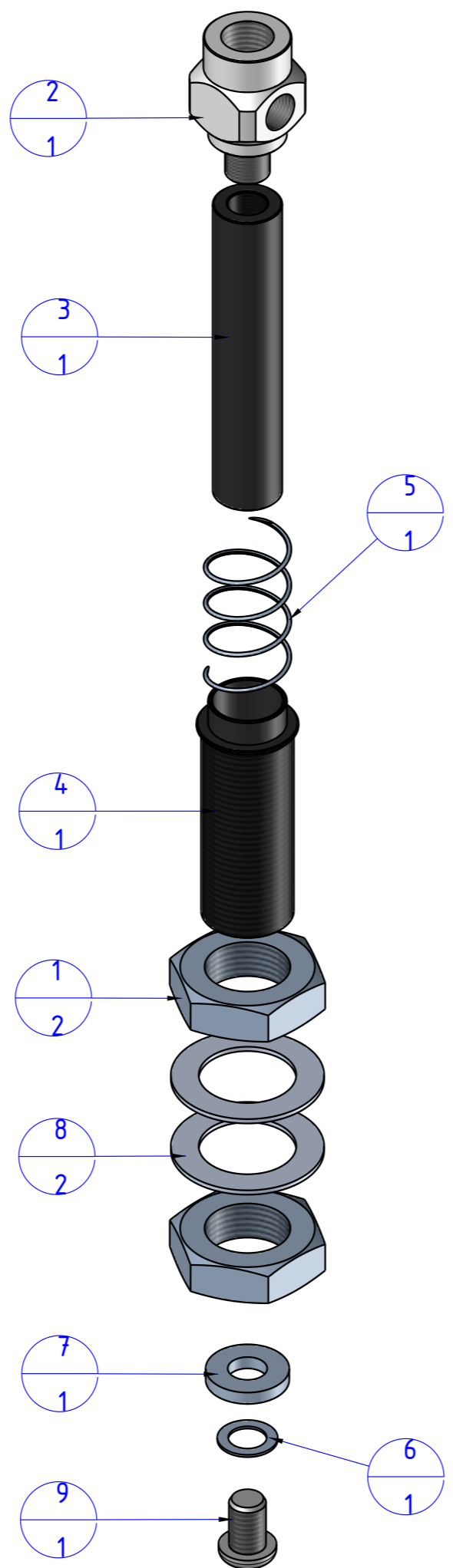



THE PROPERTY OF THE DRAWING IS ESTABLISHED BY LAW. IT IS FORBIDDEN TO PRODUCE OR SHOW IT TO THIRD PART. WITHOUT A WRITTEN AGREEMENT.

Item	Name	Q.ty
1	05.02.001.06	2
2	GGD.20.14.18.1	1
3	GGD.20.20.1	1
4	GGDG.20.2	1
5	M.19X35	1
6	R.8.SCH	1
7	R.8X18X3	1
8	R.20.SCH	2
9	V.TBCE8X12.BUTT	1



Format A3
UNI 936-76

 FPS FPSERVICES AUTOMATION		DESIGNED FROM		REVIEW
		FPS Automation		A
GENERAL TOLERANCE		DATE		WEIGHT
UNI - ISO 2768		-		0,110kg
CLASSE f		CODE		
		CA.GGDG.20141820		CA.GGDG.20141820